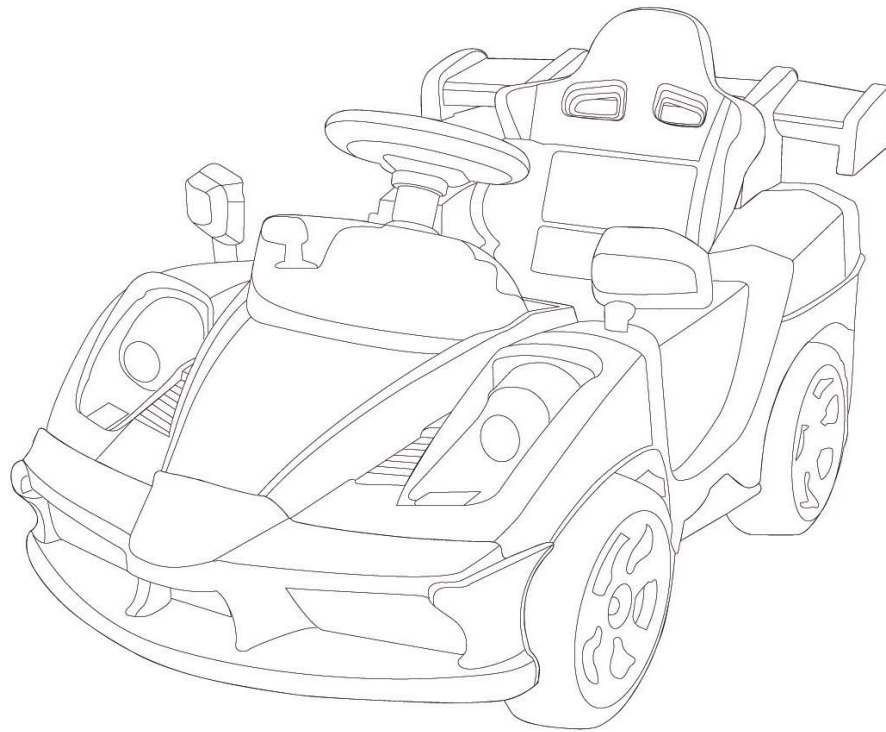


**OPERATION MANUAL**  
**ZP5188**



## 1. THE USE OF INFORMATION

- (1) Before using it for the first time, lift up the seat and connect the main wire to the battery wire (with RED to RED, BLACK to BLACK) any wrong connection may cause short circuit or other faults.
- (2) The charge socket is positioned on the right side of the panel. Before charging, please open the cover first.
- (3) Charge the battery if the vehicle runs slower
- (4) Charge the battery fully if you will store it for a long time, then charge it every 3 month, in this way you can extend the lifetime of the battery.
- (5) It is normal that the power charger and the battery jar become warmer while the battery is on charging.

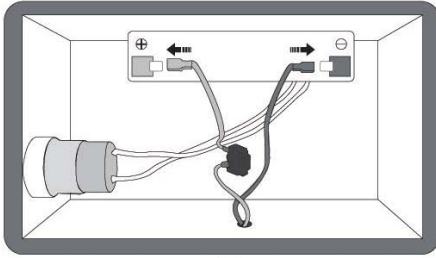


图 1

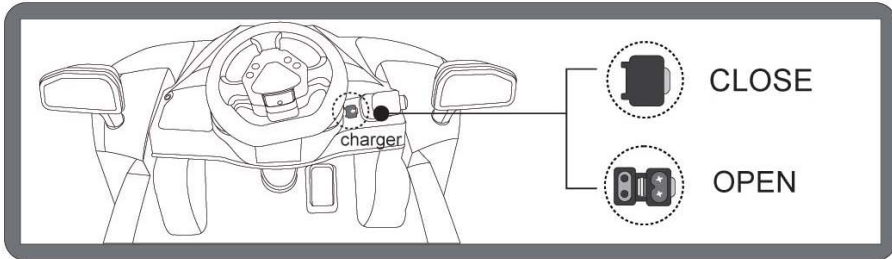
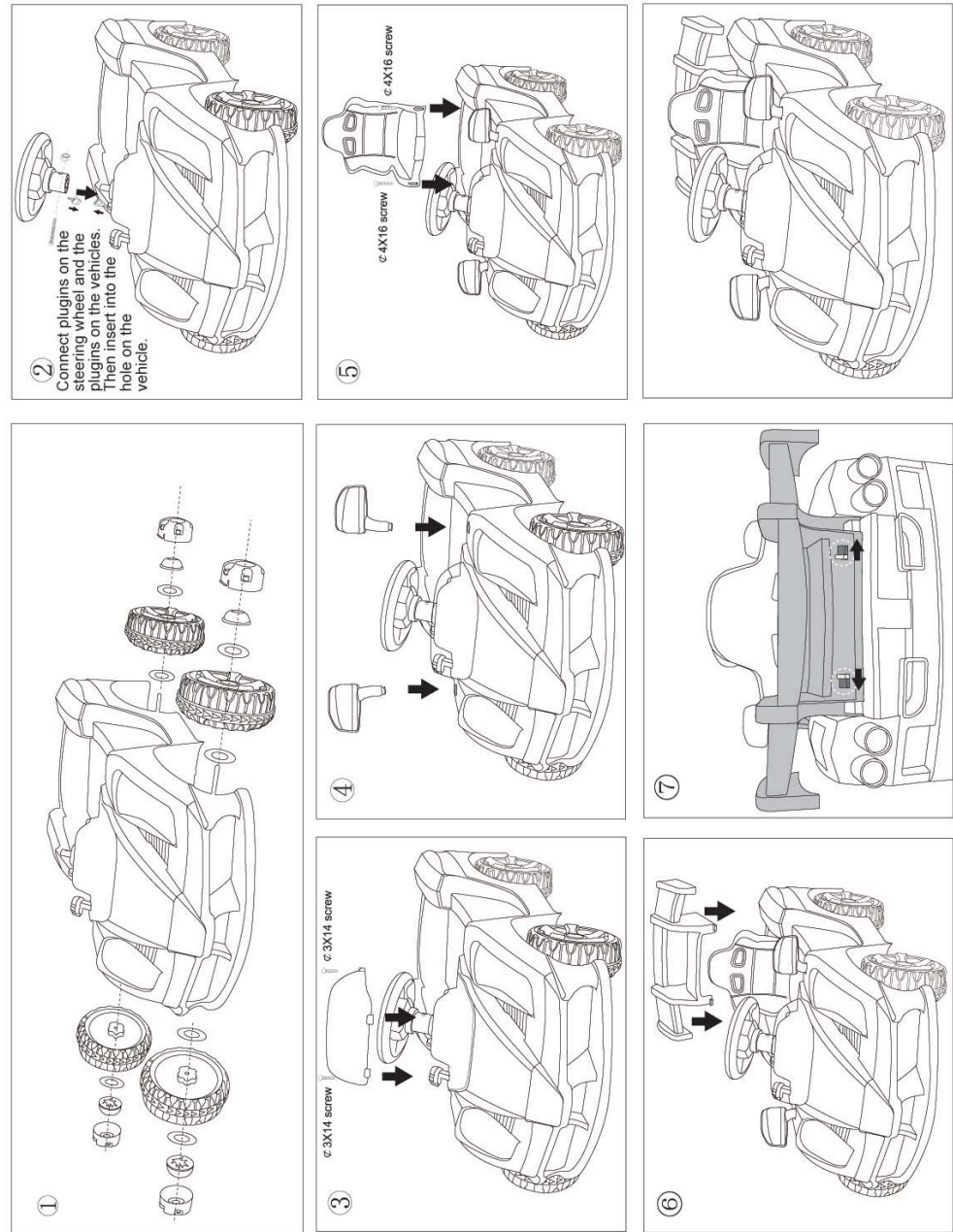


图 3

## 2. Specification

- (1) Battery: Enclosed lead-acid battery (6V, 7AH)
- (2) Loading limitation: 30kg.
- (3) Power: input 220 (110V)
- (4) Duration of the battery: around one hour functioning with 8-12hours charging. The vehicle can be used 1 hour.
- (5) Size: 108\*64\*60cm
- (6) User's proper age: suitable for children around 3-8years old

## 10. HOW TO INSTALL



#### 4. Cautions For Safety

- (1) It is prohibited to drive on streets, slopes or any other dangerous places.
- (2) Don't ride on sandy or lumpy surfaces.
- (3) Don't switch the Forward/Backward button during the drive. Do it only when the vehicle stops.
- (4) The vehicle is designed to load only one person. Overload is prohibited.
- (5) Adults should do the Battery charging, and don't let the children do it alone.
- (6) This product should be assembled or checked before using by adults. It is necessary to be supervised by adults while the child is on riding.
- (7) Don't wash the vehicle with water. Just clean it with cloth.
- (8) Don't recharge the non-rechargeable batteries, don't mix the old and new or different types of batteries. Remove the exhausted batteries from the toy.
- (9) The supply terminals can not to be short-circuited.

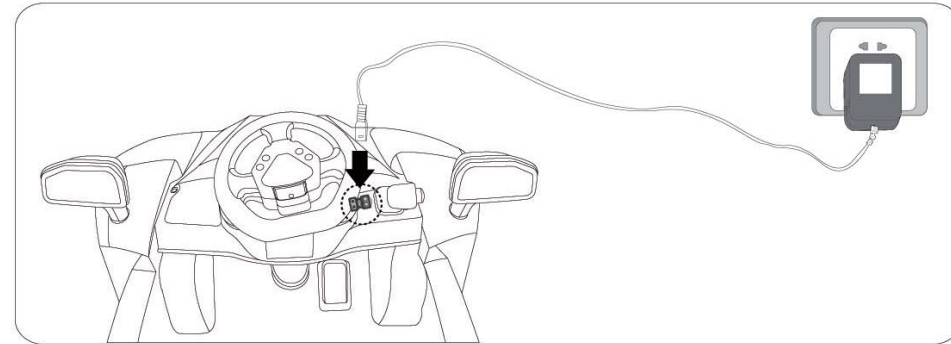
#### 5. Fused tube

When the car cannot move ,please restart in 10 minutes. It maybe caused by the large current and the fuse cutted automatically.

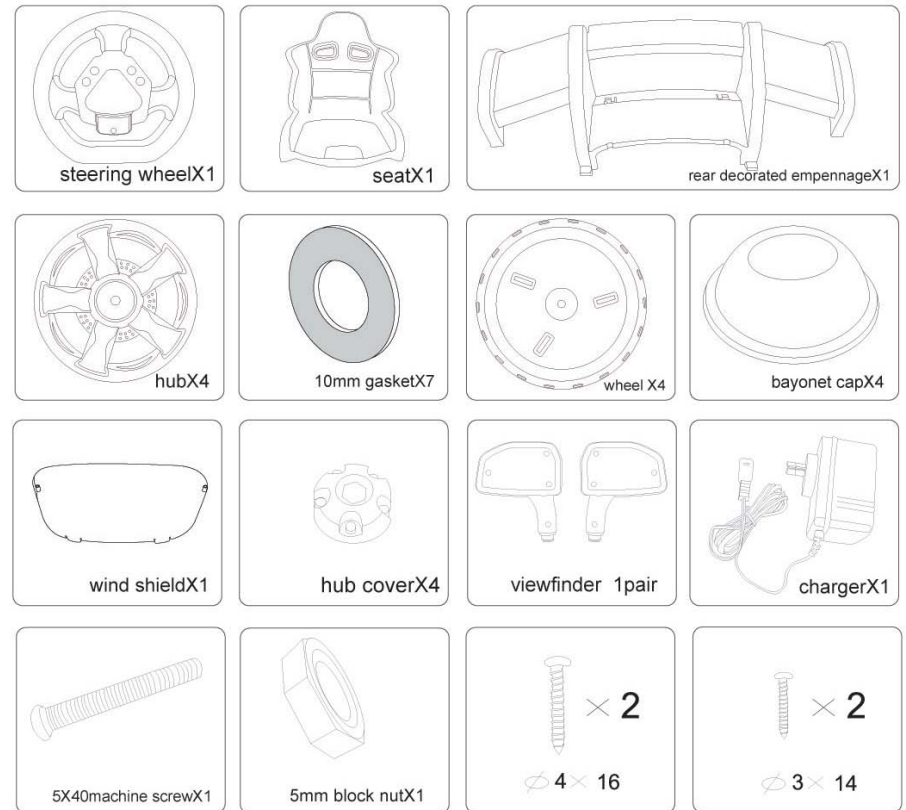
#### 6. Trouble Shooting

| Bad Status                           | Checking points   |
|--------------------------------------|---|
| The vehicle moves slowly.            | Check if the battery has been recharged long enough for 8-10hs hours.   |
| The vehicle does not move.           | <ol style="list-style-type: none"> <li>1. Check if the fuse is broken, if so replace it with a good one.</li> <li>2. Check if the wires are correctly connected.</li> </ol> |
| The battery cannot be fully charged. | <ol style="list-style-type: none"> <li>1. Check if the fuse is broken, if so, replace it.</li> <li>2. Check if the charger of the battery has been broken.</li> </ol>       |

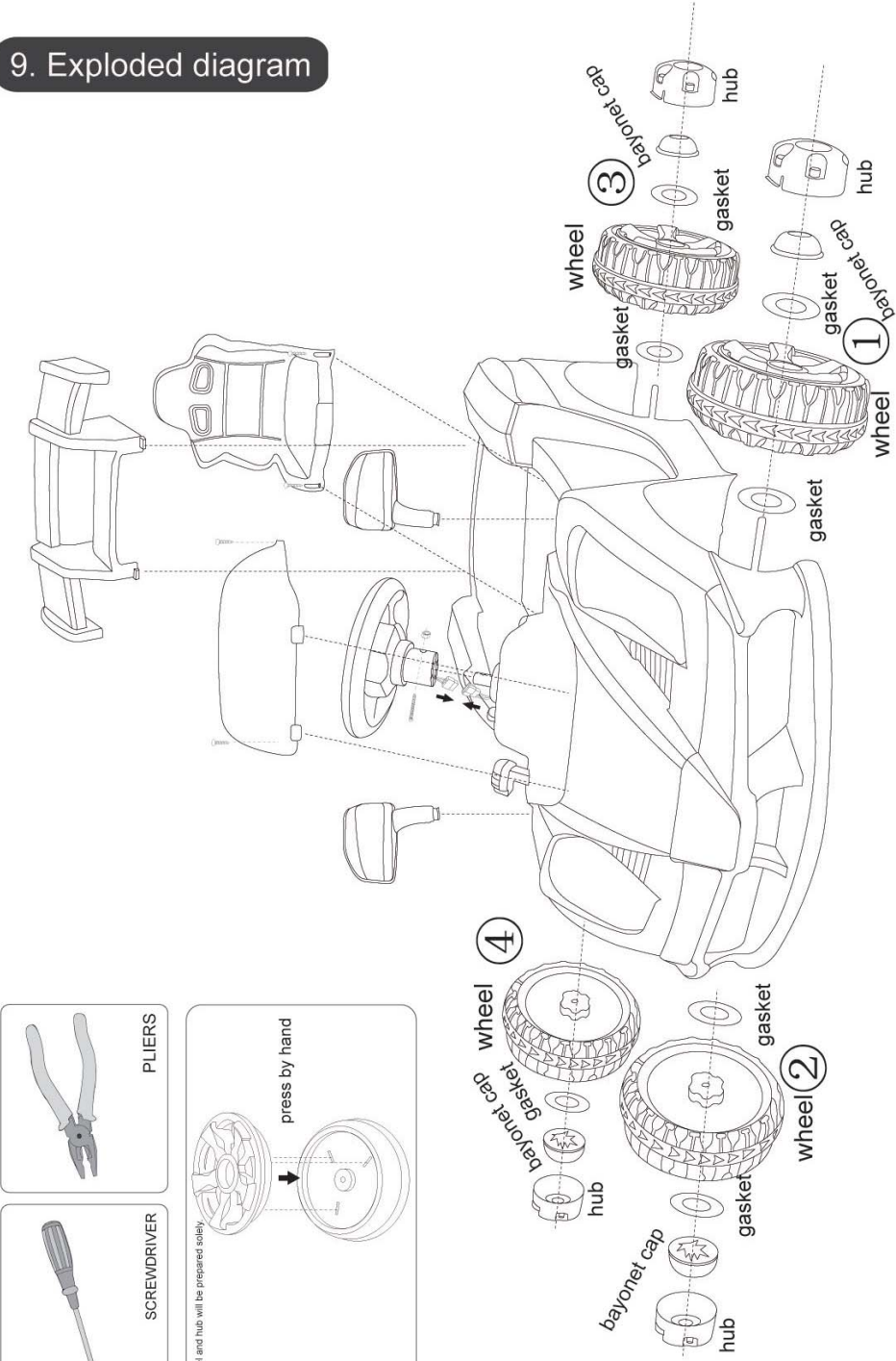
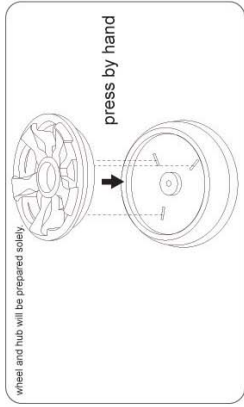
#### 7. How to charge



#### 8. SPARE PARTS



### 1.3.4 same way to assemble



## 9. Exploded diagram

## 3. Function and Feature

- (1) The vehicle can be started by Remote Control and by foot.
- (2) If you choose to use the remote control, press the button onto the position labeled with the remote-control sign and pull out the antenna.
- (3) if you choose to start the vehicle by the pedals, turn on the power, turn off the remote control. If you need to stop the vehicle, only to loose the pedal.
- (4) There have be horns and music on the steering wheel.

